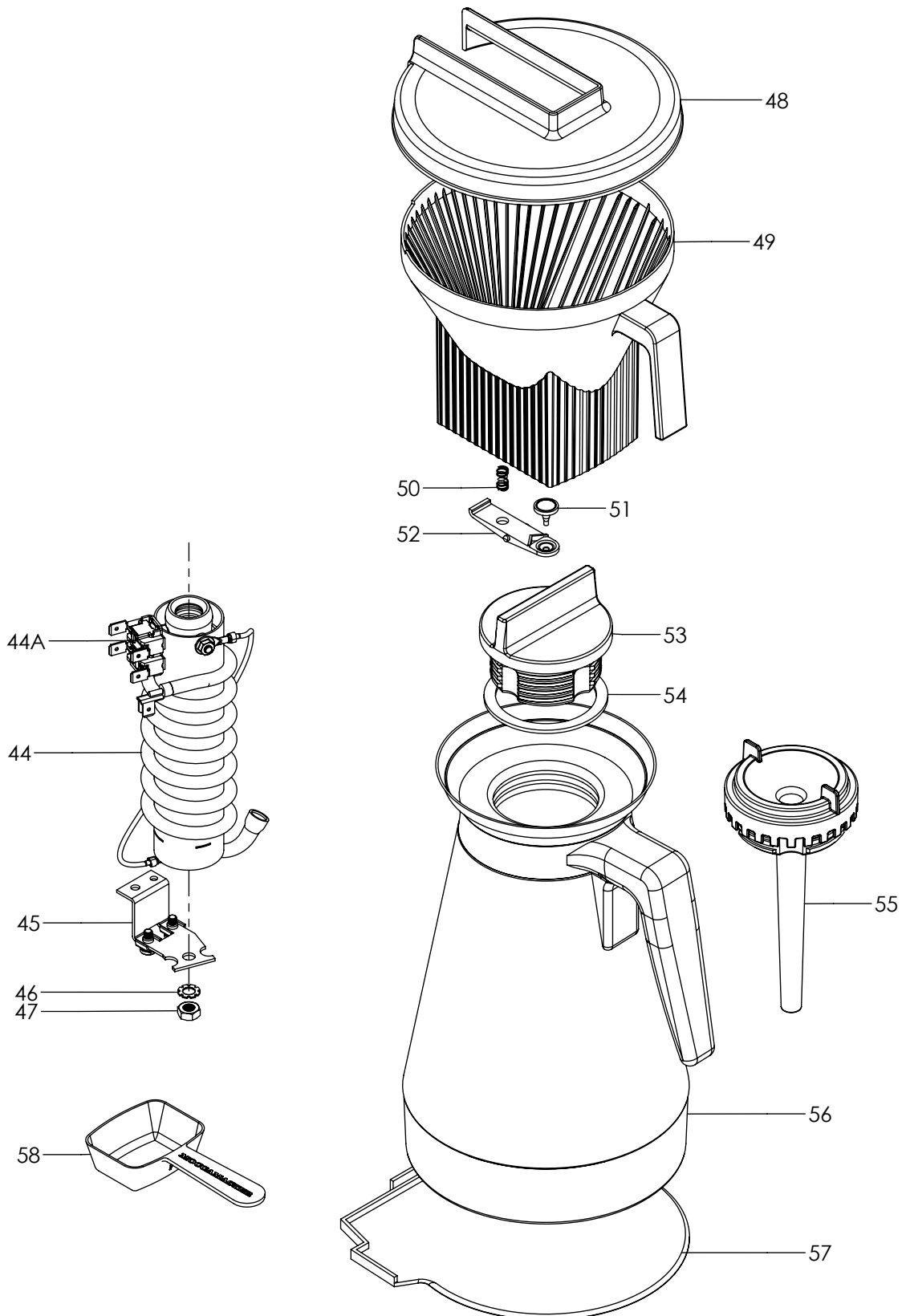

 AMERONGEN - NETHERLANDS	name	KBGT 741	
	type		
	date	16-10-2013	
	drawn	SB	check
	format	A4	page 1
	draw. no.	793**	
	revision		



 TECHNI VORM [®] AMERONGEN - NETHERLANDS	name	KBGT 741	
	type		
	date	16-10-2013	
	drawn	SB	check
	format	A4	page 2
	draw. no.	793**	
	revision		

SPARES LIST FOR KBGT 741

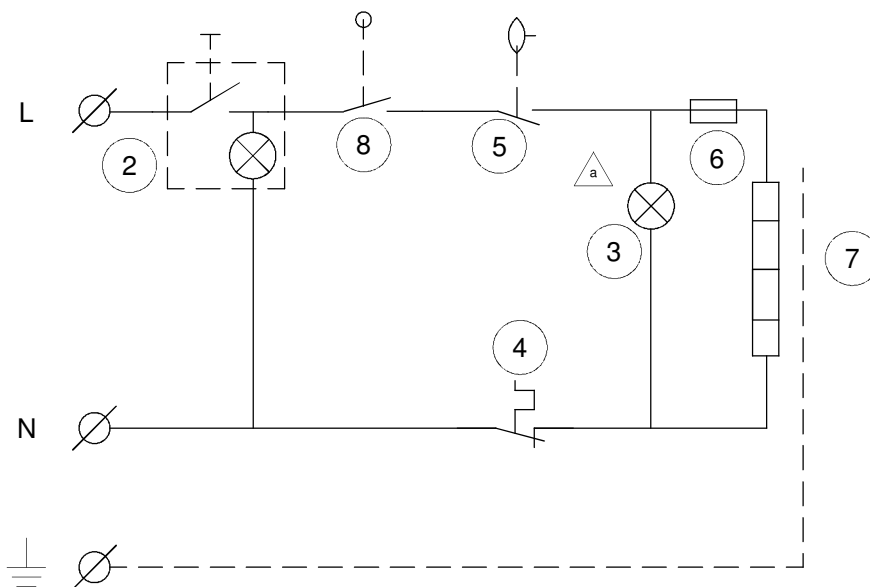
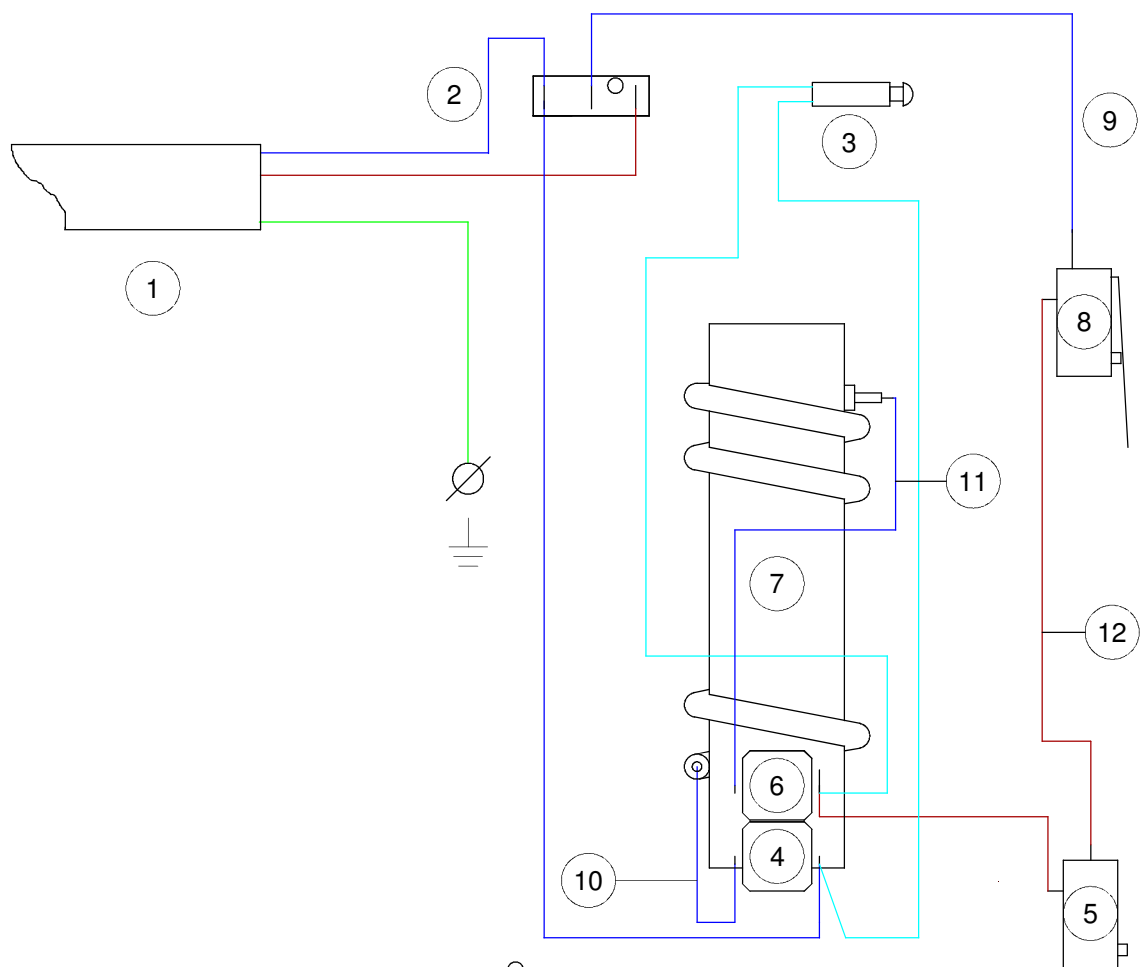
Item	Description	Code
001	Outletpipe, 9 holes, stainless steel (incl. 003)	53053
002	Rubber adapter	60015
003	Rubber closing pad	63011
004	Floathood	54131
005	Float	12235
006	Screw, 4,2x16, stainless steel, torx	70032
007	Rubber sealing washer	61190
008	Lid coldwater container	13012
009	Coldwater container	11010
010A	Fixationbracket	56601
010B	Barrier (UL/CSA)	11305
011	Glass tube, 217 mm	31155
012	Switch pawl	54155
013	Tightening socket	12220
014	Fixingplate microswitch	54151
015	Screw, M3x16	73000
016	Microswitch assembly (incl. 014-016)	43341
L	Microswitch	43340
L	Microswitch assembly (UL/CSA) (incl. 014-016)	43331
L	Microswitch (UL/CSA)	43330
017	Screw, 2,9x6,5	73050
018	Housing KBGT, 232 mm, polished silver	58750
L	Housing KBGT, 232 mm, brushed	58751
019	Rubber tube, 234 mm	60097
020	Handle left, black, with feet (incl. 024)	11716
L	Handle left, black, with feet (incl. 024) (CSA US)	11706
021	Sealing ring, black	11405
022	Supply cord, 3x0,75mm ²	44346
L	Supply cord, 3x16 awg (CSA US)	44324
023	Base KBT, polished silver	55350
L	Base KBT, brushed	55359
024	Rubber foot	61150
025	Cord anchorage	78175
L	Cord anchorage (CSA US)	78177
026	Screw, 3,5x13	70055
L	Screw, 3,5x16 (CSA US)	70056
027	Switch, illuminated	43038
028	Indicating lens, orange	43669
029	Signal lamp	43670
L	Signal lamp (CSA US)	43648
030	Screw, 4,2x19 + washer	70081
031	Screw, M3x6 + washer	73031
032	Screw, M3x6	71060
033	Bottom plate	11369
L	Bottom plate (CSA US)	11381
034	Filterbracket KBGT, assembled	12607
035	Screw, S40x30	71160



MOCCAMASTER

SPARES LIST FOR KBGT 741

Item	Description	Code
036	Screw, 2,9x16	73065
037	Microswitch	43339
038	Control knob	16650
039	Fixingplate microswitch	54148
040	Front handle	11130
L	Front handle(CSA US)	11134
041	Capring	12331
042	Screw, 4,2x13	70040
043	Capcover	12332
044	Boiling element, 1450W/230V	45149
L	Boiling element 1310W/240V	45163
L	Boiling element, 1400W/120V (CSA USA)	45113
044A	Thermostat/Thermofuse combination	46255
045	Elementbracket, assembly	51459
046	Toothed washer, M6	74025
047	Nut, M6	72035
048	Lid filter holder	13112
049	Filter holder, assembled (incl. 050-052)	13252
L	Filter holder	13250
050	Spring	56977
051	Rubber closing pad	60070
052	Closing arm	11980
053	Lid thermos jug	30526
054	Sealing ring lid	30527
055	Brew through lid	30528
056	Thermos jug, 1,3 L	30525
057	Foot plate	16700
058	Measuring spoon	88104



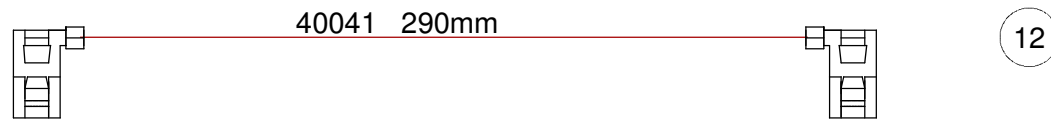
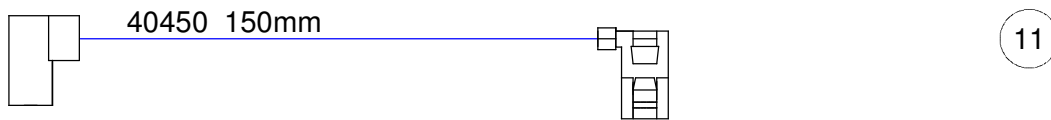
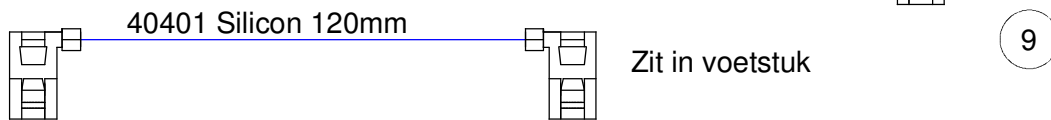
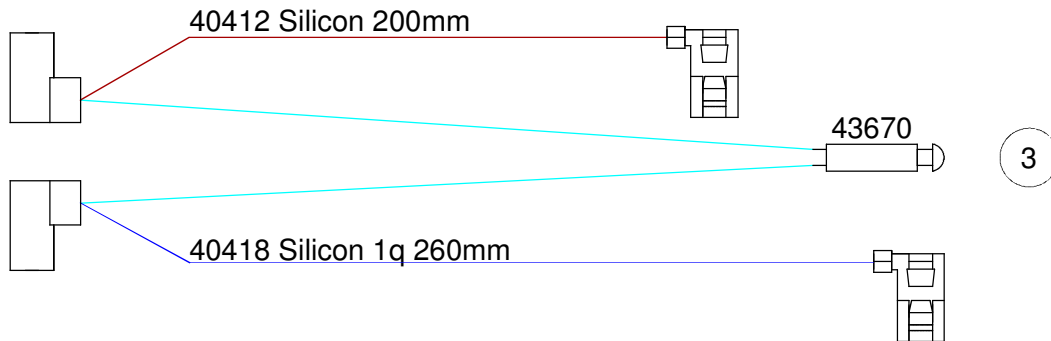
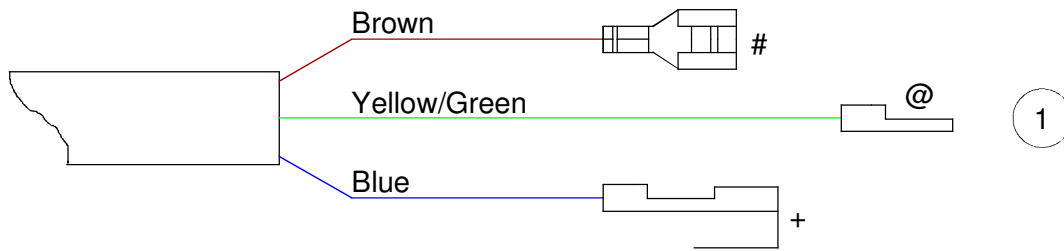
**TECHNI
VORM**
MOCCAMASTER

Industrieweg 20 P.O. box 34
3958 VR AMERONGEN 3958 ZT AMERONGEN
Tel: (0343) 453161 Mail: technivorm@tref.nl
Fax: (0343) 454685 www.technivorm.com

drawn by	T. Bos	date	28-6-2011	revision / modification
checked by	F. Walraven	date	28-6-2011	a aansl. signaallamp 4-6-2014
format	A4	sheet	1 of 2	b
remark	Nieuwe tekening ECO			c

drawing name
741 Thermo

drawing number
74102A



Bedrading:
Silicon 0,5 - 1 litze

Contacten:
AMP fastin faston 6,3x0,8
AMP faston 6,3x0,8
+ AMP piggy back 6,3x0,8
@ Splice



Industrieweg 20 P.O. box 34
3958 VR AMERONGEN 3958 ZT AMERONGEN
Tel: (0343) 453161 Mail: technivorm@tref.nl
Fax: (0343) 454685 www.technivorm.com

drawn by	T. Bos	date	28-6-2011	revision / modification	
checked by	F. Walraven	date	28-6-2011	a	
format	A4	sheet	2 of 2	b	
remark	Nieuwe tekening ECO			c	
drawing name				drawing number	
741 Thermo				74102A	